



# Instant Water Heater

microControl

## USER MANUAL



MODEL  
105 MC...  
105MC..C

### Dear Customer,

Thank you for choosing our product. We hope that microControl Water Heater, which has been manufactured in modern facilities in pursuant to high-quality standards, will provide the best efficiency for you. Therefore, please read the entire user manual thoroughly and keep it for future reference.

### WARNING!

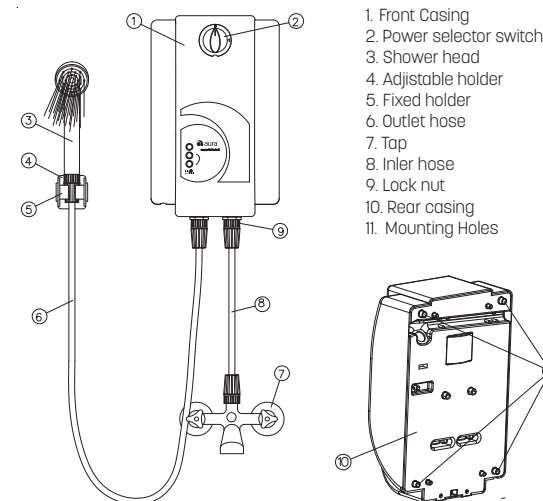
The water inlet of this appliance shall not be connected to inlet water obtained from any other water heating system.

This appliance is not to be used for a potable water supply.

### TECHNICAL SPECIFICATIONS

Voltage	: 230 VAC
Frequency	: 50-60 Hz
Power	: 7 kW
Operatable min. water pressure	: 2.5 mSS
Inlet Controlled Pressure	: 0 Pa (model 105MC...)
Outlet Controlled Pressure	: 600 kPa (model 105MC..C)
Min. Operating Pressure	: 25 kPa (2.5 mSS)
Max. Operating Pressure	: 600 kPa (61 mSS)
Flow rate	: 100-240 L/hour
Size (H, W, D)	: 330x210x110 mm
Net Weight:	: 2 kg
Protection Class	: I
Zmax	: 0.21 + j 0.13 Ω
Protection against moisture	: IP44

### INTRODUCTION OF WATER HEATER



### IMPORTANT WARNINGS

- It is under the consumer's own responsibility to suit electrical and water installation to the water heater.
- For your appliance with 7 KW heating power being able to be mounted, have its necessary electrical and water installation made by qualified electricians and plumbers.
- The electrical connection of the device should be grounded. It should never be used in buildings which do not have an earth, have an inadequate earth or an earth which fails to comply the rules. Otherwise, our company shall not be responsible from problems to be occurred.
- Your appliance is only for household use. It should not be used for commercial or industrial purposes (at hairdressers which require continuous hot water, and workplaces such as construction sites, small scale workshops etc.).
- Your appliance can not be connected to main water supply in the flat, should be connected to where authorized service deems suitable.
- Authorized Service only makes the electrical connection of the appliance to the completed installation, and its initial starting.
- Do not mount your water heater where the water in its inside may freeze. In case the water freezes, do not operate your appliance.
- The appliance should be connected to minimum 32 Ampere-Automatic fuse.
- When your appliance is operating, do not operate other devices which have more than 1 KW power (oven, iron, washing machine, dishwasher etc.).
- Only use the hose and fittings given with the appliance when installing. Do not use pre-used hose or fittings.
- Always contact with Authorized Service for all kind of malfunctions, maintenance and spare part procurement.
- In places where the water pressure is more than 6 bars, it is recommended to insert a pressure reducer regulator to cold water inlet of your water heater. The hoses or pipes which shall be directly connected to the installation should be resistant to 6 bar operating pressure.
- According to the season's temperature, inlet water temperatures will vary. You may supply hot water as you wish by adjusting the water temperature selection stepping switch and water inlet amount.
- Power supply of the water heater is deactivated in case of inadequate pressure or water cut. When it reaches the adequate pressure, power supply is activated again.
- This appliance can be used by children from 8 years and above and people with reduced physical, sensory or mental capabilities or lack of experience and knowledge if they have been given supervision or instruction concerning the use of the appliance in a safe way and understand the hazards involved. Children must not play with the appliance. Cleaning and maintenance by the user must not be performed by children, unless they are over 8 years old and supervised. Keep the appliance and its cord out of reach of children aged less than 8 years.
- This device must be mounted vertically.
- Power selector should be at "0" position when the appliance is not used.

## GENERAL FEATURES

### POWER SWITCH

Controls the power as 3 different level (3,4,7 kW) to adjust the water temperature.

### INDICATION LAMPS

The lamp at the top indicates the power, the other lamps indicate power levels.

### DIAPHRAGM GROUP

This sophisticated group controls the power depending on the differential pressure on both sides of rubber membrane. It shuts off the power when the differential pressure is not enough.

### THERMOSTAT

Prevents the over heating of the water by shutting off the heating element.

### RESET THERMOSTAT

It is a double safety feature for over heating. If thermostat is failed its function, reset thermostat prevents over heating.

### HOW TO OPERATE

1. Turn on the water tap. (Figure 1)
2. Adjust the flow rate by using the spherical valve. (Figure 2)
3. Depending on the season and water temperature desired, the selector switch should be positioned to the desired level of 1,2 or 3.
4. To turn off your water heater, the power selector switch should be at "0" position first. Wait until water cools down.
5. When water cools down, close the water tap.
6. This shut off process will protect the heater resistance against lime scale deposits resulting decrease on heating and resistance failure.

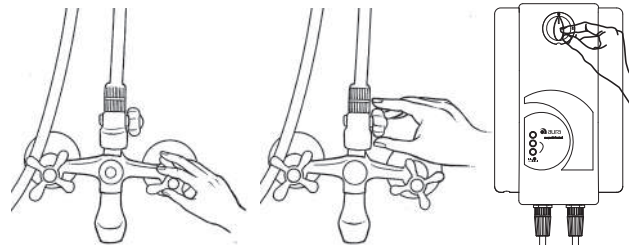


Figure 1

Figure 2

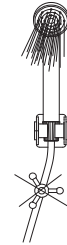
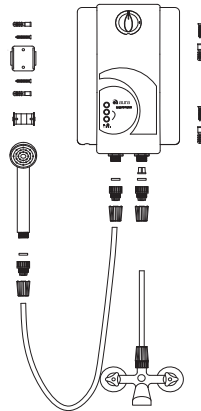
Figure 3

## MAINTENANCE

1. The maintenance of the appliance must be performed by an authorized service personal only.
2. Before any maintenance or service, turn off the main power of the house. Make sure that the power is off by checking with a voltmeter.
3. If the water has too much lime, a water purifying system is recommended to purify water. The failures caused by lime scale deposits is not under warranty.
4. For open outlet water heaters used with spray head and spray head must be descaled regularly.
5. Clean the front casing with a cloth using detergent. (do not use gasoline, solvent, thinner, etc. for cleaning the case)

## INSTALLATION MOUNTING OF DEVICE FOR OPEN OUTLET (MODEL 105MC...)

Mounting of Device to Shower and Parts to be used



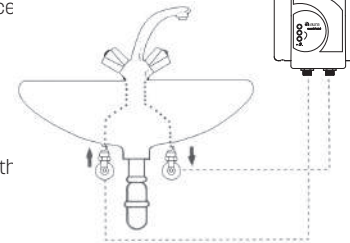
### CAUTION !

The water outlet must not be connected to any tap/valve or fitting other than those specified.

## MOUNTING OF DEVICE FOR CLOSED OUTLET (MODEL 105MC.C)

### Mounting of Device to Main Pipe Line

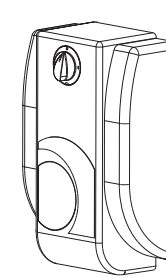
- \* Water inlet and outlet of the device is R 1/2".
- \* Connect the blue colour cold water inlet pipe to cold water pipe line with a flexible hose.
- \* Connect the red colour hot water outlet pipe to hot water pipe line with a flexible hose.



**WARNING:** All poles shall be disconnection with contact opening at least 3.5 mm means for disconnection must be incorporated in the fixed wiring should be in accordance with the national wiring rules. The appliance must be connected to water supply should be according the national installation rules.

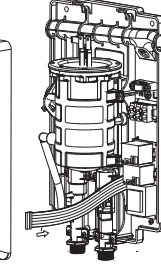
## MOUNTING DIAGRAM

Figure 1



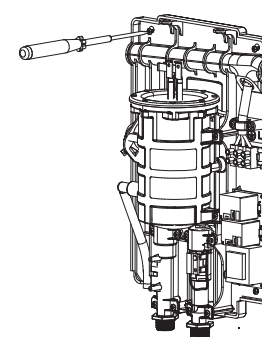
The cable connections of the product are made, the package is opened at the front side for wall mounting, the card cable is removed from the card

Figure 2



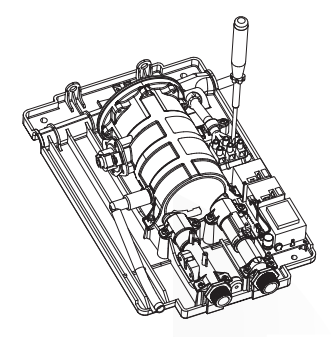
The ends of the antigraffiti cable are exposed, a hole is made in the sealing gasket and it is mounted on the back cover

Figure 3



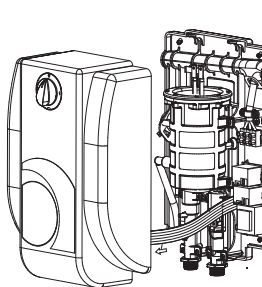
The back cover is fixed on the wall at 4 points using dowels and screws

Figure 4



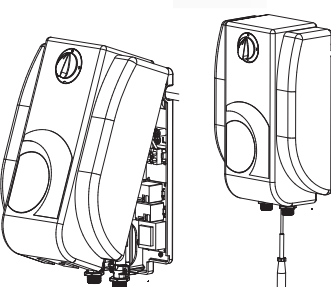
The cable is fixed with a cable clamp and the end of the cable is screwed into the connector

Figure 5



After the back cover is fixed onto the wall, the card cable on the back cover is mounted upon the card on the front cover, then the front cover is fixed

Figure 6



After the back cover is fixed onto the wall, screw the front box